



*All images are for illustrative purposes only.

LG LED Signage | **Indoor**

LAS Fine-pitch Series

The LAS Fine-pitch series offers a unit case with 16:9 aspect ratio, as well as light-weight cabinet design and front serviceability for easy installation and maintenance.



Cable-less Stackable Design

Stackable unit cases and signal connector enable easy installation.



Front Serviceability

The product offers front access, freeing customers from needing rear access space.



16:9 Aspect Ratio

With 16:9 aspect ratio, you can enjoy existing content without additional editing.



Uniform Picture Quality with Accurate Colors

Our strictly managed production enables us to provide seamless content and vivid colors without distortion.



Easy-handling Lightweight Unit Case

Its lightweight unit cases enable easy installation and prevent damage.



RoHS Certified Safe Product

With RoHS certified, all LG LED signage models are eco-friendly while not using harmful materials.



Signal/Power Redundancy

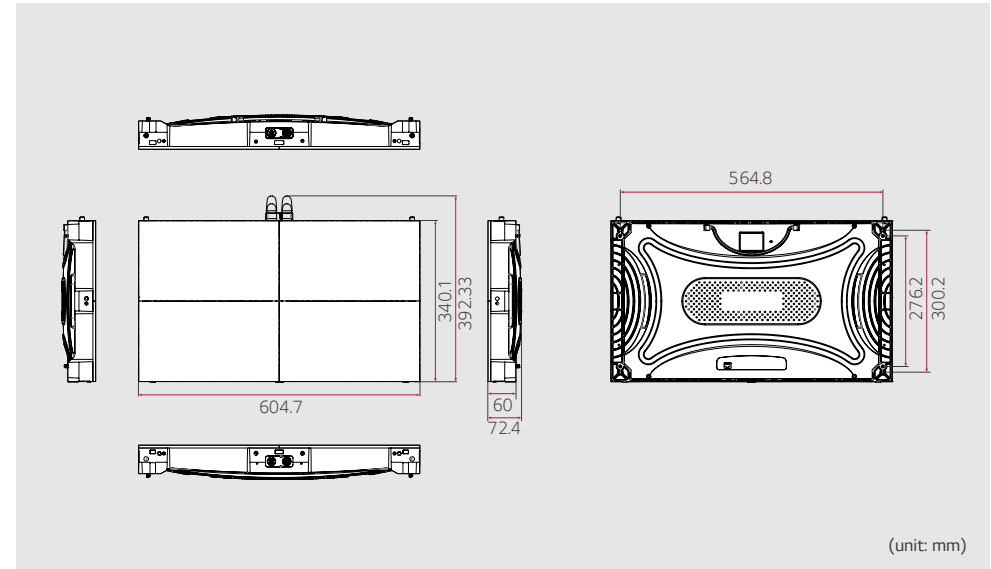
The additional controller and power unit prevents a screen blackout and offers stable power. (Optional)

SPECIFICATIONS

Panel	LAS012DB2-F	LAS012DB4-F	LAS012DB7-F	LAS014DB2-F	LAS014DB4-F	LAS014DB7-F	LAS015DB2-F	LAS015DB4-F	LAS015DB7-F	LAS018DB2-F	LAS018DB4-F
Physical Parameters	Pixel Configuration	3 in 1 SMD	3 in 1 SMD	3 in 1 SMD	3 in 1 SMD	3 in 1 SMD	3 in 1 SMD	3 in 1 SMD	3 in 1 SMD	3 in 1 SMD	3 in 1 SMD
	Pixel Pitch (mm)	1.26	1.26	1.26	1.454	1.454	1.454	1.575	1.575	1.575	1.89
	Module Resolution (WxH)	240 x 135	240 x 135	240 x 135	208 x 117	208 x 117	208 x 117	192 x 108	192 x 108	192 x 108	160 x 90
	Module Dimensions (WxH, mm)	302.4 x 170.1	302.4 x 170.1	302.4 x 170.1	302.4 x 170.1	302.4 x 170.1	302.4 x 170.1	302.4 x 170.1	302.4 x 170.1	302.4 x 170.1	302.4 x 170.1
	Weight per Module (kg)	0.52	0.52	0.52	0.52	0.52	0.52	0.52	0.52	0.52	0.52
	No. of Modules per Unit Case (WxH)	2 x 2	2 x 2	2 x 2	2 x 2	2 x 2	2 x 2	2 x 2	2 x 2	2 x 2	2 x 2
	Unit Case Resolution (WxH)	480 x 270	480 x 270	480 x 270	416 x 234	416 x 234	416 x 234	384 x 216	384 x 216	384 x 216	320 x 180
	Unit Case Dimensions (WxHxD, mm)	604.8 x 340.2 x 72.5	604.8 x 340.2 x 72.5	604.8 x 340.2 x 72.5	604.8 x 340.2 x 72.5	604.8 x 340.2 x 72.5	604.8 x 340.2 x 72.5	604.8 x 340.2 x 72.5	604.8 x 340.2 x 72.5	604.8 x 340.2 x 72.5	604.8 x 340.2 x 72.5
	Unit Case Surface Area (m ²)	0.206	0.206	0.206	0.206	0.206	0.206	0.206	0.206	0.206	0.206
	Weight per Unit Case (kg/unit)	5.2	5.2	5.2	5.2	5.2	5.2	5.2	5.2	5.2	5.2
	Weight per Square Meter (kg/m ²)	25.3	25.3	25.3	25.3	25.3	25.3	25.3	25.3	25.3	25.3
	Physical Pixel Density (pixels/m ²)	629,882	629,882	629,882	473,111	473,111	473,111	403,124	403,124	403,124	279,947
	Unit Case Material	Die Casting Magnesium	Die Casting Magnesium	Die Casting Magnesium	Die Casting Magnesium	Die Casting Magnesium	Die Casting Magnesium	Die Casting Magnesium	Die Casting Magnesium	Die Casting Magnesium	Die Casting Magnesium
Service Access	Front	Front	Front	Front	Front	Front	Front	Front	Front	Front	
Optical Specifications	Min. Brightness (After Calibration)	600cd/m ²	600cd/m ²	600cd/m ²	600cd/m ²	600cd/m ²	600cd/m ²	600cd/m ²	600cd/m ²	600cd/m ²	600cd/m ²
	Color Temperature	3,000 - 10,000	3,000 - 10,000	3,000 - 10,000	3,000 - 10,000	3,000 - 10,000	3,000 - 10,000	3,000 - 10,000	3,000 - 10,000	3,000 - 10,000	3,000 - 10,000
	Visual Viewing Angle (HxV)	160 x 140	160 x 140	160 x 140	160 x 140	160 x 140	160 x 140	160 x 140	160 x 140	160 x 140	160 x 140
	Brightness Uniformity	97%	97%	97%	97%	97%	97%	97%	97%	97%	97%
	Color Uniformity	±0.003Cx,Cy	±0.003Cx,Cy	±0.003Cx,Cy	±0.003Cx,Cy	±0.003Cx,Cy	±0.003Cx,Cy	±0.003Cx,Cy	±0.003Cx,Cy	±0.003Cx,Cy	±0.003Cx,Cy
	Contrast Ratio	7,000	7,000	7,000	7,000	7,000	7,000	7,000	7,000	7,000	7,000
	Processing Depth (bit)	16	16	16	16	16	16	16	16	16	16
Electrical Specifications	Power Consumption (W/Unit, Max.)	180	180	180	180	180	180	180	180	180	180
	Power Consumption (W/Unit, Avg.)	54	54	54	54	54	54	54	54	54	54
	Power Consumption (W/m ² , Max.)	874	874	874	874	874	874	874	874	874	874
	Power Supply (V)	100 to 240	100 to 240	100 to 240	100 to 240	100 to 240	100 to 240	100 to 240	100 to 240	100 to 240	100 to 240
	Frame Rate (Hz)	50 / 60	50 / 60	50 / 60	50 / 60	50 / 60	50 / 60	50 / 60	50 / 60	50 / 60	50 / 60
	Refresh Rate (Hz)	3,000	3,000	3,000	3,000	3,000	3,000	3,000	3,000	3,000	3,000
Operation Specifications	Lifetime (Half Brightness, hrs)*	100,000	50,000	100,000	100,000	50,000	100,000	100,000	50,000	100,000	100,000
	Operating Temperature	-10°C to +40°C	-10°C to +40°C	-10°C to +40°C	-10°C to +40°C	-10°C to +40°C	-10°C to +40°C	-10°C to +40°C	-10°C to +40°C	-10°C to +40°C	-10°C to +40°C
	Operating Humidity	10 - 80% RH	10 - 80% RH	10 - 80% RH	10 - 80% RH	10 - 80% RH	10 - 80% RH	10 - 80% RH	10 - 80% RH	10 - 80% RH	10 - 80% RH
Certification	IEC 60950-1 / EN 60950-1 / UL 60950-1, FCC Class A / CE / KC	IEC 60950-1 / EN 60950-1 / UL 60950-1, FCC Class A / CE / KC	IEC 60950-1 / EN 60950-1 / UL 60950-1, FCC Class A / CE / KC	IEC 60950-1 / EN 60950-1 / UL 60950-1, FCC Class A / CE / KC	IEC 60950-1 / EN 60950-1 / UL 60950-1, FCC Class A / CE / KC	IEC 60950-1 / EN 60950-1 / UL 60950-1, FCC Class A / CE / KC	IEC 60950-1 / EN 60950-1 / UL 60950-1, FCC Class A / CE / KC	IEC 60950-1 / EN 60950-1 / UL 60950-1, FCC Class A / CE / KC	IEC 60950-1 / EN 60950-1 / UL 60950-1, FCC Class A / CE / KC	IEC 60950-1 / EN 60950-1 / UL 60950-1, FCC Class A / CE / KC	IEC 60950-1 / EN 60950-1 / UL 60950-1, FCC Class A / CE / KC
Environment	RoHS	RoHS	RoHS	RoHS	RoHS	RoHS	RoHS	RoHS	RoHS	RoHS	

*The Lifetime(Half brightness) spec is subject to LED package spec.

Panel	LAS018DB7-F	LAS025DB2-F	LAS025DB4-F	LAS025DB7-F	
Physical Parameters	Pixel Configuration	3 in 1 SMD	3 in 1 SMD	3 in 1 SMD	3 in 1 SMD
	Pixel Pitch (mm)	1.89	2.52	2.52	2.52
	Module Resolution (WxH)	160 x 90	120 x 68	120 x 68	120 x 68
	Module Dimensions (WxH, mm)	302.4 x 170.1	302.4 x 170.1	302.4 x 170.1	302.4 x 170.1
	Weight per Module (kg)	0.52	0.52	0.52	0.52
	No. of Modules per Unit Case (WxH)	2 x 2	2 x 2	2 x 2	2 x 2
	Unit Case Resolution (WxH)	320 x 180	240 x 136	240 x 136	240 x 136
	Unit Case Dimensions (WxHxD, mm)	604.8 x 340.2 x 72.5	604.8 x 340.2 x 72.5	604.8 x 340.2 x 72.5	604.8 x 340.2 x 72.5
	Unit Case Surface Area (m ²)	0.206	0.206	0.206	0.206
	Weight per Unit Case (kg/unit)	5.2	5.2	5.2	5.2
	Weight per Square Meter (kg/m ²)	25.3	25.3	25.3	25.3
	Physical Pixel Density (pixels/m ²)	279,947	158,637	158,637	158,637
	Unit Case Material	Die Casting Magnesium	Die Casting Magnesium	Die Casting Magnesium	Die Casting Magnesium
	Service Access	Front	Front	Front	Front
Optical Specifications	Min. Brightness (After Calibration)	600cd/m ²	600cd/m ²	600cd/m ²	600cd/m ²
	Color Temperature	3,000 - 10,000	3,000 - 10,000	3,000 - 10,000	3,000 - 10,000
	Visual Viewing Angle (HxV)	160 x 140	160 x 140	160 x 140	160 x 140
	Brightness Uniformity	97%	97%	97%	97%
	Color Uniformity	±0.003Cx,Cy	±0.003Cx,Cy	±0.003Cx,Cy	±0.003Cx,Cy
	Contrast Ratio	7,000	7,000	7,000	7,000
	Processing Depth (bit)	16	16	16	16
Electrical Specifications	Power Consumption (W/Unit, Max.)	180	180	180	180
	Power Consumption (W/Unit, Avg.)	54	54	54	54
	Power Consumption (W/m ² , Max.)	874	874	874	874
	Power Supply (V)	100 to 240	100 to 240	100 to 240	100 to 240
	Frame Rate (Hz)	50 / 60	50 / 60	50 / 60	50 / 60
	Refresh Rate (Hz)	3,000	3,000	3,000	3,000
Operation Specifications	Lifetime (Half Brightness, hrs)*	100,000	100,000	50,000	100,000
	Operating Temperature	-10°C to +40°C	-10°C to +40°C	-10°C to +40°C	-10°C to +40°C
	Operating Humidity	10 - 80% RH	10 - 80% RH	10 - 80% RH	10 - 80% RH
Certification	IEC 60950-1 / EN 60950-1 / UL 60950-1, FCC Class A / CE / KC	IEC 60950-1 / EN 60950-1 / UL 60950-1, FCC Class A / CE / KC	IEC 60950-1 / EN 60950-1 / UL 60950-1, FCC Class A / CE / KC	IEC 60950-1 / EN 60950-1 / UL 60950-1, FCC Class A / CE / KC	
Environment	RoHS	RoHS	RoHS	RoHS	






Controller	LCLY006HD	LCLY006U (4K)	
Input	Interface	HDMI / DVI	HDMI / DVI / SDI
	Resolution	1,920x1,200@60Hz	3,840x2,160@60Hz
	EDID Custom	Yes	Yes
Output	Signal	Gigabit Ethernet(4ea)	Gigabit Ethernet(16ea)
	Fiber Optical	X	X
Control	RJ45	X	O
	USB	O	O
Electrical	Power Consumption[W]	10	80
	Power Supply[V]	AC 100-240V	AC 100-240V
Mechanical	Size[mm]	482.6(W)x262(D)x44(H) →EIA Standard Rack(1U)	482.6(W)x359(D)x88(H) →EIA Standard Rack(2U)
	Weight[Kg]	2	9
Feature	Signal Redundancy	Yes	Yes
	HDR10	X	O

*The Lifetime(Half brightness) spec is subject to LED package spec.



Download
LG C-Display+
Mobile App
Google Play Store

-  www.lg.com/b2b
-  www.youtube.com/c/LGECCommercialDisplay
-  www.facebook.com/LGInformationDisplay
-  www.linkedin.com/company/LGInformationDisplay

LG may make changes to specifications and product descriptions without notice.
Copyright © 2019 LG Electronics Inc. All rights reserved. "LG Life's Good" is a registered trademark of LG Corp.
The names of products and brands mentioned here may be the trademarks of their respective owners.